

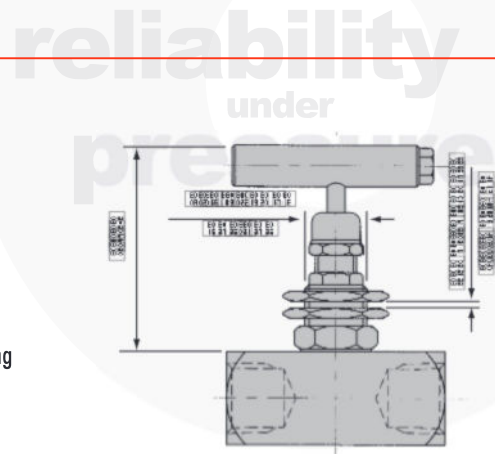
HEAD UNIT OPTIONS

PANEL MOUNT OPTION



Panel mount option.
Suffix / PM.

Note: Additionally drilled and tapped mounting holes (suffix /PMHT) top, or bottom (suffix /PMHB) available.

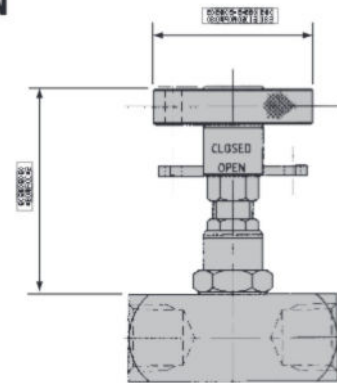


HAND WHEEL LOCKING AND POSITION INDICATOR OPTION



Hand wheel locking and position indicator option.
Suffix / HL-PL.

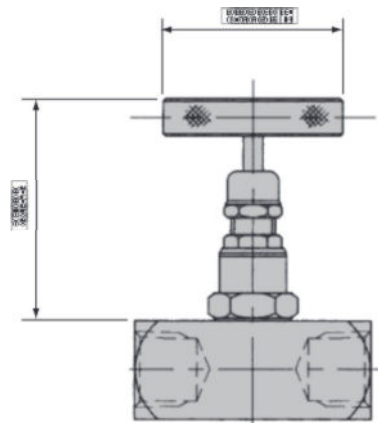
Note: Padlock is extra.
Suffix / PAD.



STAINLESS STEEL HAND WHEEL OPTION



Stainless steel hand wheel (316 grade).
Suffix / SSHW.

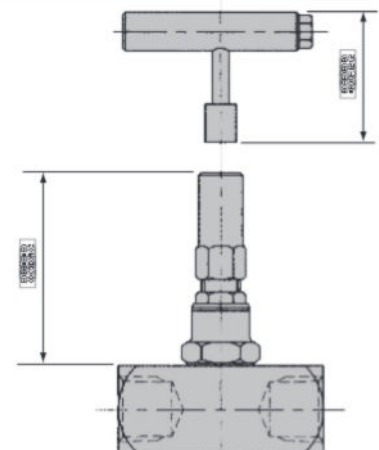


ANTI TAMPER OPTION



Anti-tamper option.
Suffix / AT.

Note: Anti-'key' is extra.
Suffix / AT-KEY.



OXYGEN SERVICE OPTION Degreased to air products A03 standard, suffix /OXY.

