

## XP ELIMINATOR SERIES ROTARY POSITION MONITORS

EXPLOSIONPROOF - NEC

Rotary valve position monitor comprising switch box and solenoid valve combination with single hazardous area certification.



### FEATURES

- Factory wired and tested combination of AccuTrak switch box and Falcon V solenoid valve
- Available with a single certificate for either Division 1 or Division 2 hazardous locations
- Simplified logistics with switch box and solenoid delivered by one supplier
- Touch set cams are hand adjustable, spring loaded and self-locking providing quick calibration of position switches and sensors
- Terminal strips are pre-wired and numbered with generous working space for ease of use
- Strong durable Beacon™ offers 360° visual indication available in a choice of styles and colors
- Additional conduit for easy field wiring and mounting accessories as standard
- Standardized mounting pattern for easy adaptation to common bracketry
- NAMUR shaft output compliant to VDI/VDE 3845 available
- Analog position transmitter option
- Stainless steel enclosures available
- Choice of factory pre-wired 3 and 5 way Falcon V explosionproof solenoid valves
- Falcon V solenoid valves available with a choice of C<sub>v</sub> ratings and coil voltages
- Aluminum enclosures with ultra-low copper content (0.2% maximum) ensure robust performance in corrosive environments

### GENERAL APPLICATION

XP Eliminator series is a pre-wired and tested combination of the AccuTrak 2007/9479 switch boxes with the Falcon V solenoid valve supplied with a single hazardous area certificate for all electrical parts.

#### Agency approvals

Area classification  
 Models E2007/E9479  
 Class I, Div 1, Groups C and D/ T3C Ta = 40°C  
 Class II, Div 1, Groups E, F and G/ T3C Ta = 40°C  
 Model E9479  
 Class I, Div 2, Groups A, B, C and D/T3C Ta = 40°C  
 Enclosure standards (ANSI/NEMA 250)  
 All enclosures Type 4, 4X

### TECHNICAL DATA

#### Switches

Model E2007 V3 (SPDT) and DPDT mechanical / GO®  
 Model E9479 Magnum

#### Enclosures

Models E2007/E9479 Aluminum  
 Stainless steel

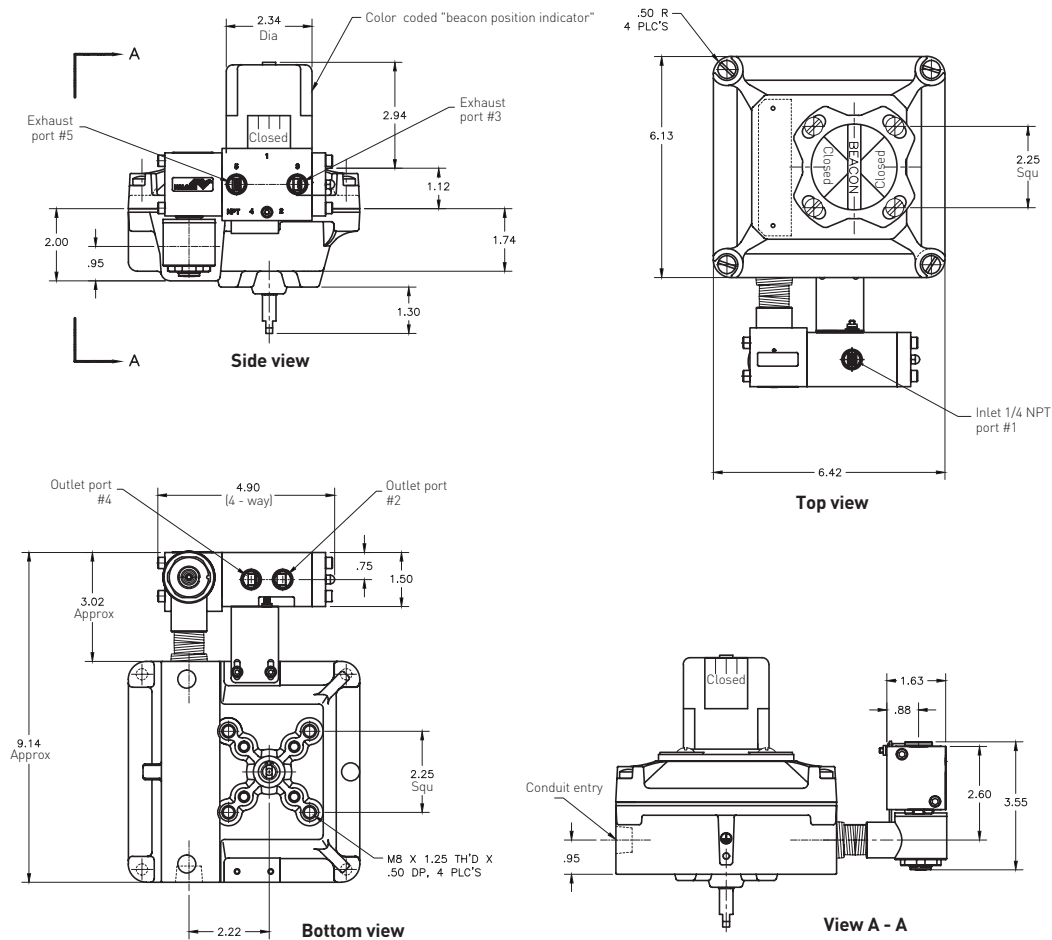
#### Falcon V solenoid valves

C<sub>v</sub> Choice of 1.4 and 4.3  
 Materials Brass, aluminum, stainless steel

# XP ELIMINATOR SERIES ROTARY POSITION MONITORS

## ACCUTRAK SWITCHBOX

### MODELS E2007/E9479 DIMENSIONS



**Note:** Drawing shows 4-way solenoid valve

### TECHNICAL SPECIFICATIONS

#### Materials of construction

Enclosure	Aluminum with black polyester coating
Shaft and hardware	Stainless steel
Bushing	Oil impregnated bronze
Beacon visual indicator	Co-polyester

#### Drive shaft

Standard	Double-D with 1/4" A/F
Option	NAMUR standard VDI/VDE 3845

#### Available switches

Model E2007	V3 mechanical switches, SPDT DPDT (Form CC) mechanical switches GO® switches
Model E9479	Magnum (hermetically sealed proximity type)

#### Options

Models E2007/E9479	Stainless steel enclosure 4-20 mA position transmitter
--------------------	-----------------------------------------------------------

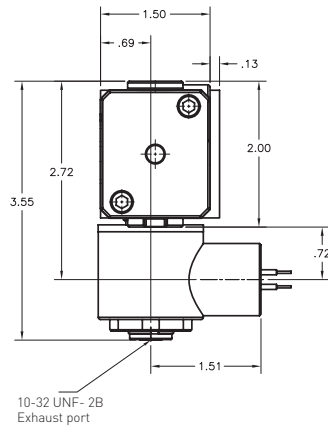
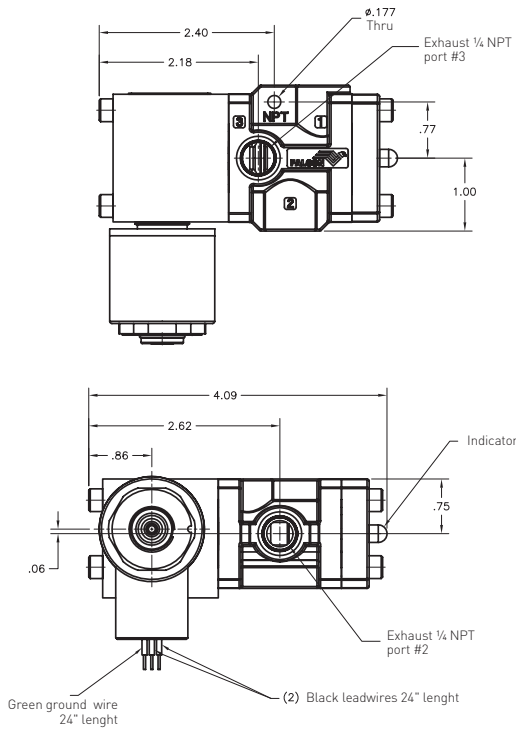
### NOTES

1. See selection guide for standard conduit entries.
2. See switches and sensors data sheet for further information.
3. Please consult your sales office for any other requirements.

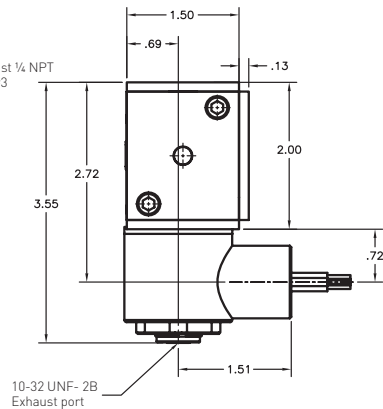
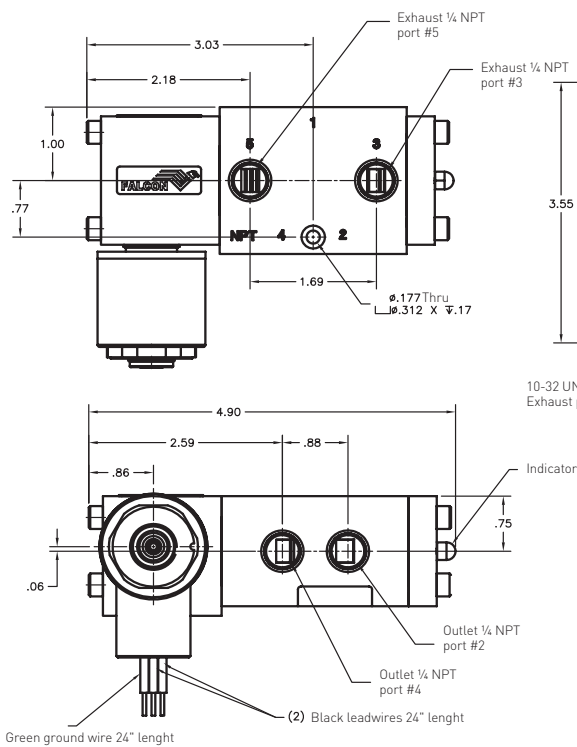
# XP ELIMINATOR EXPLOSIONPROOF ROTARY POSITION MONITORS

## FALCON V SOLENOID VALVE

### FALCON V 3-WAY SOLENOID VALVE



### FALCON V 4-WAY SOLENOID VALVE



### FALCON V FEATURES

The Falcon V is engineered specifically to address low power valve actuation requirements in hazardous locations.

- Available in 3 and 4 - way anodized aluminum (all wetted parts), nickel-plated brass with stainless steel internals and 316 SS (all wetted parts)
- Larger 4.0 C<sub>v</sub> valve body available in Aluminum with 1/2" NPT ports
- Viton seals as standard
- Internal venting design as standard
- Increased C<sub>v</sub> of the standard valve body (1.4 C<sub>v</sub>) allows for automation of a wider range of actuators and reduces stock requirements
- Reduced pilot pressure coil allows use on low supply pressure without external pilot
- Anti-extrusion seal design
- Common global porting system and location across all Westlock brands for ease of automation (model in ISO view)
- Spool indicator design protects the indicator from incidental contact damage
- 5 cc or less air leakage at steady state reduces losses
- Standard valve temperature range -4°F to 104°F (-20°C to +40°C)
- Extended low temp -40 °F (-40 °C) seal optional
- Suitable for high cycle applications

#### Standard specification

Materials	Anodized aluminum, nickel plated brass, 316 stainless steel
Valve flow rates	1.4 C <sub>v</sub> , 4.3 C <sub>v</sub>
Standard coil voltages	24 V DC, 0.85 watt and 1.8 watt 110/120 V AC, 1.8 watt
Valve port tapping	1.4 C <sub>v</sub> - 1/4" NPT air ports for inlet, outlet and exhaust 4.3 C <sub>v</sub> - 1/2" NPT air ports for inlet, outlet and exhaust

#### Technical data

Operating pressure	30 - 120 psi (2.1 - 8.3 bar)
<b>Operating temperature (Agency approved)</b>	
Standard	-4°F to +104°F (-20°C to +40°C)
Extended	-40°F to +104°F (-40°C to +40°C)
Operating media	Filtered air to 20 microns

# XP ELIMINATOR SERIES ROTARY POSITION MONITORS

## MODELS E2007 / E9479 SELECTION GUIDE

### Base model

E2007 Aluminum enclosure  
E9479 Aluminum enclosure

### Shaft output

S Standard (double-D with 1/4" Flats) N NAMUR  
D Direct mount to Keystone 79U or MRP actuators

### Beacon

BY	BM2-Y (standard)	AB	BM2-B	B5	BM3-5
RG	BM2-RG (Red Closed/Green Open)	AR	BM2-R	B7	BM3-7
FE	BM2-Y-FE (French/English)	B1	BM3-1	B9	BM3-9
		B3	BM3-3	FC	Flat cover

### Conduit

2E One 3/4" NPT (F) and one 1/2" NPT (M) eliminator fitting  
4E Three 3/4" NPT (F) and one 1/2" NPT (M) eliminator fitting

### Position switches

#### Model E2007

2M02 Two SPDT Mechanical Switches - 8 pt. Terminal Strip  
4M02 Four SPDT Mechanical Switches - 16 pt. Terminal Strip  
6M02 Six SPDT Mechanical Switches - 24 pt. Terminal Strip  
2M04 Two DPDT Mechanical Switches - 16 pt. Terminal Strip  
4M04 Four DPDT Mechanical Switches - 24 pt. Terminal Strip  
2M03 Two SPDT Go Switches - 12 pt. Terminal Strip  
4M03 Four SPDT Go Switches - 16 pt. Terminal Strip

#### Model E9479

2M06 Two SPDT Magnum Switches - 8 pt. Terminal Strip  
2M12 Two SPDT Magnum Switches with Rhodium Contacts - 8 pt. Terminal Strip  
4M06 Four SPDT Magnum Switches - 16 pt. Terminal Strip  
4M12 Four SPDT Magnum Switches with Rhodium Contacts - 16 pt. Terminal Strip  
6M06 Six SPDT Magnum Switches - 24 pt. Terminal Strip  
6M12 Six SPDT Magnum Switches with Rhodium Contacts - 24 pt. Terminal Strip

### Analog position transmitter

00 None  
CS 4-20 mA Transmitter (not available with 4M04, 6M02, 2M03, 4M03, 6M06 and 6M12  
12 pt. TS with 2M02, 2M06 and 2M12  
16 pt. TS with 2M04, 4M02, 4M06, 4M12  
DT 4-20mA Transmitter, Absolute Encoder with 2M06 and 2M12 (10 pt.TS) ONLY

### Coil voltage

DTO 24 V DC, 1.8 watt, 1/2" NPT conduit, stainless steel housing, potted coil.  
DZO 120 V AC, 1.8 watt, 1/2" NPT conduit, stainless steel housing, potted coil.  
DYO 24 V DC 0.85 watt, 1/2" NPT conduit, stainless steel housing, potted coil.  
DTL Low Temp 24 V DC, 1.8 watt, 1/2" NPT conduit, stainless steel housing, potted coil.  
DZL Low Temp 120 V AC, 1.8 watt, 1/2" NPT conduit, stainless steel housing, potted coil.  
DYL Low Temp 24 V DC, 0.85 watt, 1/2" NPT conduit, stainless steel housing, potted coil.

### Falcon V valve body

2V3	1.4Cv, 3-Way, Brass	2V7	1.4Cv, 4-Way, Brass
3V3	1.4Cv, 3-Way, Aluminum	3V7	1.4Cv, 4-Way, Aluminum
5V3	1.4Cv, 3-Way, 316 SS	5V7	1.4Cv, 4-Way, 316 SS
3V4	4.3Cv, 3-Way, Aluminum**	3V8	4.3Cv, 4-Way, Aluminum**

### Valve options

0	None	R	4.3Cv aluminum valves
M	Momentary Over-ride	N	Manual Reset with Latch (Not available on 4.3Cv aluminum valves)
L	Manual Reset (Not available on 4.3Cv aluminum valves)	E	External Pilot
		X	Low Temp option (-40°C, -40°F)

E2007 N BY 2E 2M02 00 DTO 3V3 0 = Model number **E2007NBY2E2M020DT03V30**

### NOTES

\* Please contact your local sales office, not available with all valve options

\*\* 3V4 valves are 3V8 valves with ports 2 and 3 plugged at the factory for 3 way functionality.

For stainless steel enclosure, please contact your local sales office.



[www.westlockcontrols.com](http://www.westlockcontrols.com)

**Westlock.** We reserve the right to change designs and specifications without notice.