

DIVERTER & SELECTOR VALVES

reliability
under
pressure

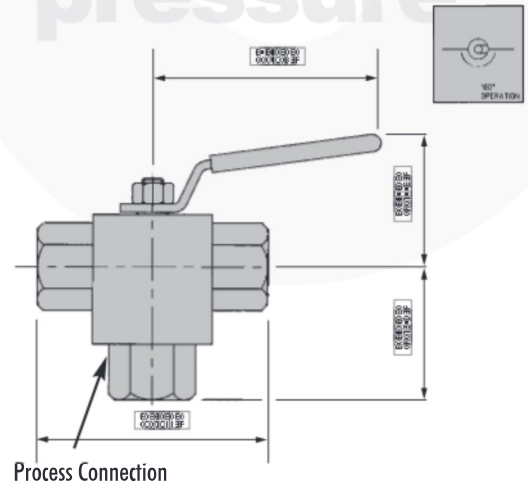
TYPE B*BL50S BOTTOM ENTRY DIVERTER VALVE



3 way single 'L' port ball
bottom entry 10mm
bore only in:-

3,000 PSI (*=3)
6,000 PSI (*=6)
10,000 PSI (*=10)

Note: Firesafe option not available.



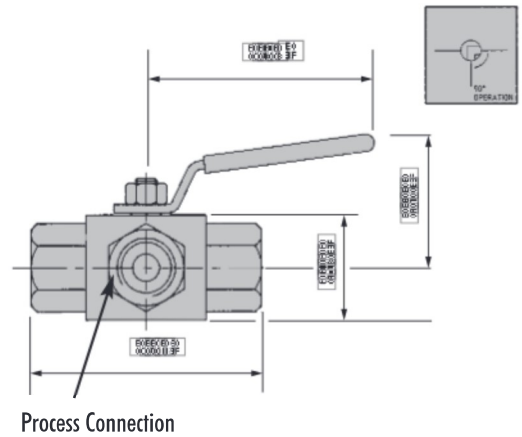
TYPE B*SL50S SIDE ENTRY DIVERTER VALVE



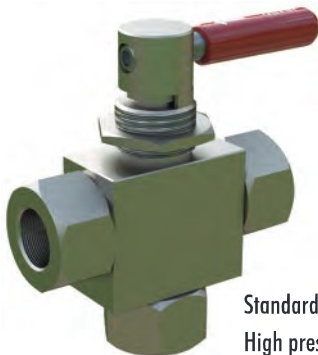
3 way single 'L' port ball
side entry 10mm
bore only in:-

3,000 PSI (*=3)
6,000 PSI (*=6)
10,000 PSI (*=10)

Note: Firesafe option not available.



TYPE B*PMBSELF##S SELECTOR VALVE



NPT SIZE	LENGTH	DIMENSIONS 'A'	##
1/4"	3" [76MM]	3 17/32" [90MM]	25
3/8"	3 1/16" [78MM]	3 9/16" [91MM]	38
1/2"	3 3/8 [86MM]	3 23/32 [95MM]	50

Standard 6,000 PSI (414 BAR)(* = 6)
High pressure 10,000 PSI rated (689 BAR)(* = 10)
Temperature: 121°C (250°F)(at 6,000 and 10,000 PSI)

Panel cut out diameter 22mm min (7/8") to 25mm (1")
No further cutting of panel required for larger 1/2" connectors.
Min height from center to bottom of panel 16.5mm
Max height from center to top of panel 28mm, max panel thickness 11.5mm

