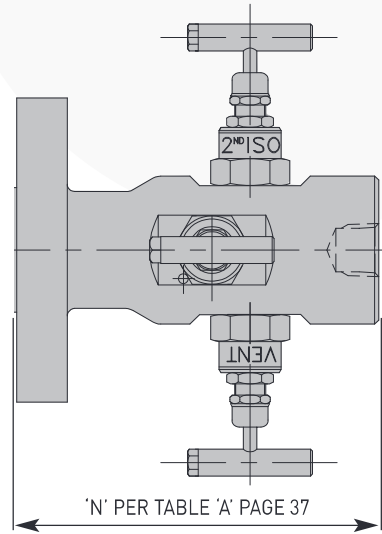
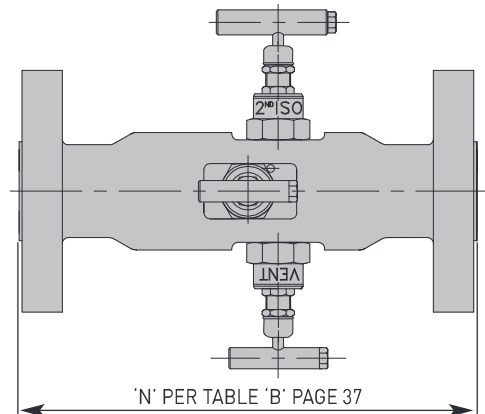


N TYPE DOUBLE BLOCK & BLEED

reliability
under
pressure



FLANGE TO PIPE – ONE BORE – THREE STANDARD MATERIALS



FLANGE TO FLANGE – ONE BORE – THREE STANDARD MATERIALS

Machined from a single piece 'grain flow controlled' forging. This valve features primary and secondary valve & vent with heavy duty needle valves, offering 5.4mm (0.23") bores and metal seated valves.

This all forged manifold comprises three heavy duty needle valves. Offering 5.4mm (0.23") bores and metal seated valves.

Valves have three heavy duty metal seated needle valves with 5.4mm (0.23") bores.

CARBON STEEL

Standard specification – ASTM A350 LF2 body material with BS970 316 S11/S31 barstock stainless steel trims and head units with Graphite seals and gland packings. Needle valves have non-rotating hard tip giving metal to metal closure and screw down tee bar operators.

DUPLEX STAINLESS STEEL

Standard specification – ASTM A182 F51 body material with UNS S31803 barstock steel trims and head units with Graphite seals and gland packings. Needle valves have non-rotating hard tip giving metal to metal closures and screw down tee bar operators.

STAINLESS STEEL

Standard specification – ASTM A182 F316 body material with BS970 316S11/S31 barstock stainless steel trims and head units with Graphite seals and gland packings. Needle valves have non-rotating hard tip giving metal to metal closure and screw down tee bar operators.

STANDARD	
NACE:	Conformance to NACE MR-01-75 (latest revision).
FIRESAFE:	Firesafe construction.

