

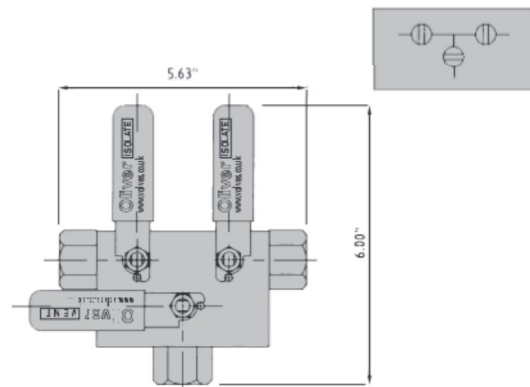
reliability
under
pressure

L TYPE



Barstock body with three balls arranged for sampling, chemical injection and double block and bleed of instrument. Surface mounting option available.

Note: 10, 14, 20mm Bore's available.

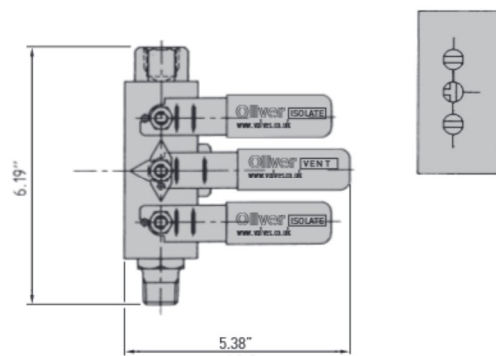


T TYPE



Barstock body with central 'T' ported ball valve for compact double block and bleed, sampling or chemical injection. Surface mounting and Cam Interlock options available.

Note: 10, 14mm Bore's available.



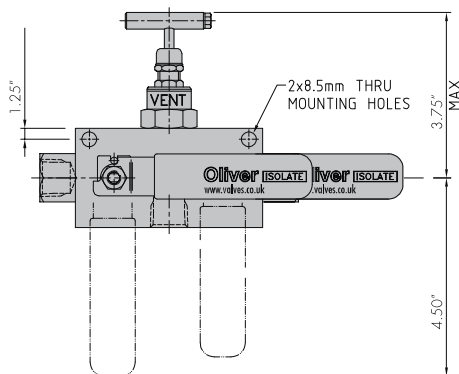
ID TYPE



Barstock body with ball pattern isolate and secondary isolate valve and needle pattern vent.

Note: 10, 14, 20mm Bore's available.

Bottom vent is standard, side vent available as an option.



IN TYPE



Barstock body with three needle pattern valves arranged for Double Block & Bleed of instrument.

Note: 5.4mm Bore size.

