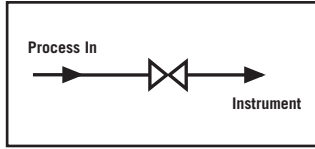


- ISOLATE** Blue
- VENT** Red
- EQUALIZE** Green



Weight=1.1 lbs(0.5 kg)

Also available in a range of other materials and options
(See **HOW TO ORDER** Data Sheet Pg. 6).

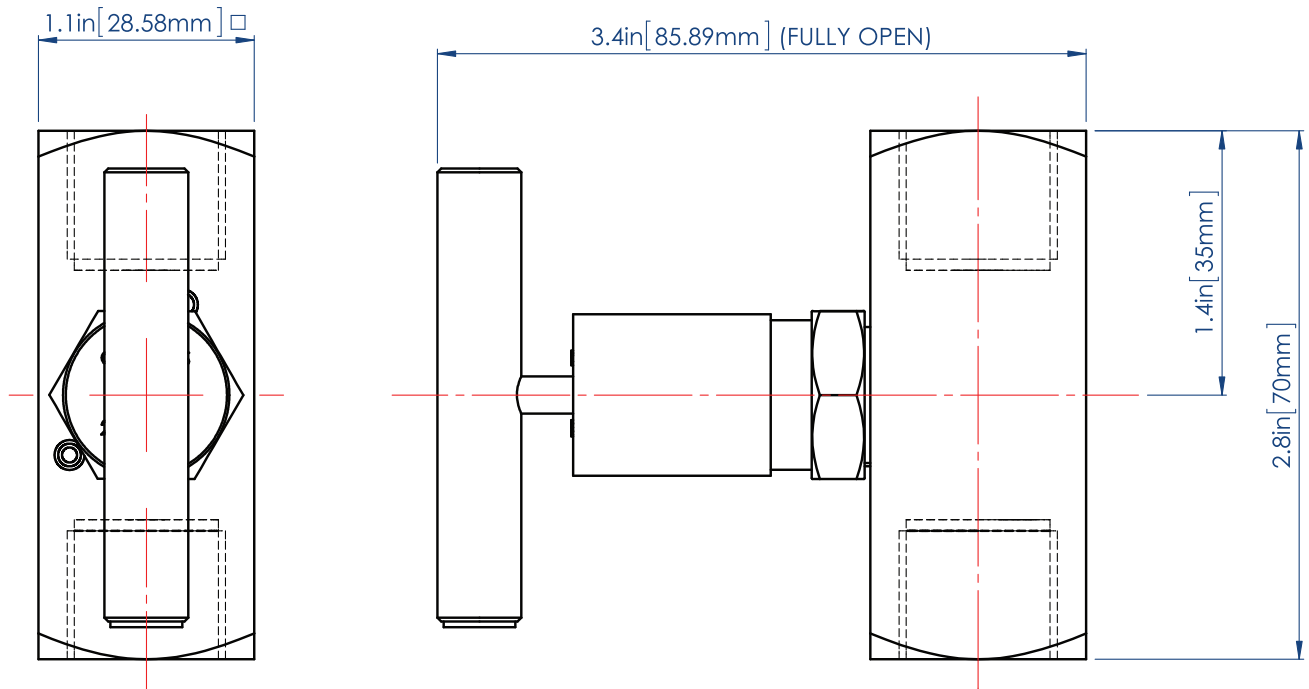
Application

High integrity instrument isolation of pressure gauges and pressure transmitters.



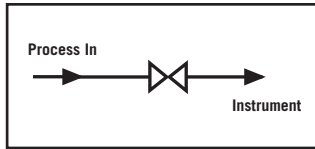
Female - Female Option

Valve Shown with 1/2" NPT Inlet & Outlet



Dimensions shown in inches (millimeters) are for reference only and are subject to change.

ISOLATE	Blue
VENT	Red
EQUALIZE	Green



Weight=1.1 lbs(0.5 kg)

Also available in a range of other materials and options
(See **HOW TO ORDER** Data Sheet Pg. 6).

Application

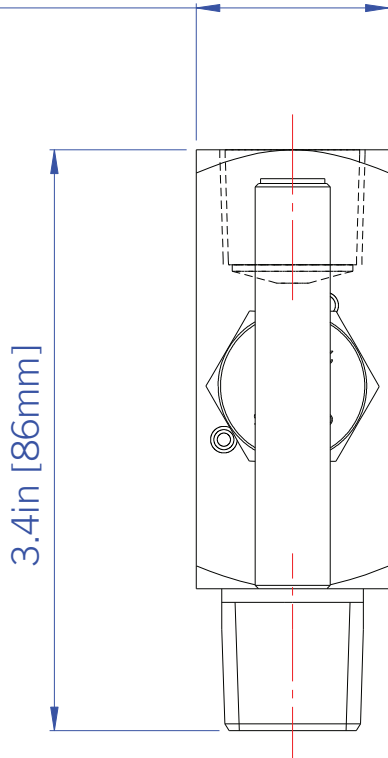
High integrity instrument isolation of pressure gauges and pressure transmitters.



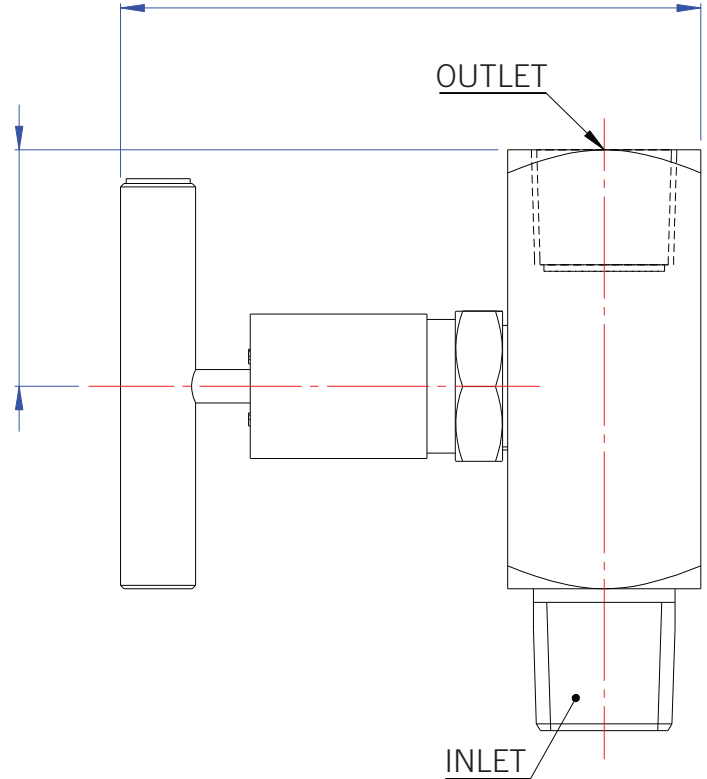
Male - Female Option

Valve Shown with 1/2" NPT Inlet & Outlet

1.1in [28.575mm]



3.4in [85.9mm] (FULLY OPEN)



Dimensions shown in inches (millimeters) are for reference only and are subject to change.

Ordering Multiple Options

HOKE HM Valves and Manifolds are available with a wide variety of options that enable valve configurations customized to meet specific requirements. Please select or add designators from the ordering combinations as shown below:

How To Order

Standard items in bold.

Typical Ordering Part Number

HM25 1 1 F 8 6MO AA

TIP

1 = Hard
2 = Soft

PACKING

1 = PTFE
2 = GRAFOIL® [AA (10,000 psi) not available]

CONNECTION

F = Female inlet x Female outlet
M = Male inlet x Male outlet
L = Male inlet x Female outlet

SIZE

4 = ¼" NPT
8 = ½" NPT

ALLOY

YL = 316/316L
HC = HASTELLOY® C276
M = MONEL®
D50 = Super Duplex
TI = Titanium
TB = Titanium Blue Anodized
DX3 = Duplex
625 = 625 INCONEL®
825 = 825 INCONEL®
6MO = 6%Mo
E = Carbon Steel

OPTIONS

AA = 10,000 psi Rated
AD = Anti Tamper Isolate
AE = Lockable Isolate
AH = BSPP Connections
AO = Norsok M-650 Material Required
AP = Panel nut on bonnets
AR = Firesafe
AT = Round Hand Wheel for Isolate
BE = Round Hand Wheel - Lockable Isolate

Note: Keys are not included and are sold separately. Order part number HMATHDL-316 for key.

Note: The body & trim parts on all 316/316L Valves & Manifolds comply to NACE MR-01-75 & NORSOK M-650 as standard.

Please consult the factory or your local distributor for information on special connections. O-rings, operating pressures, & temperature ratings.

△ When selecting products for specific applications users should refer to our notice at the bottom of page 1. And the guidance of Use of Equipment on page 32.