

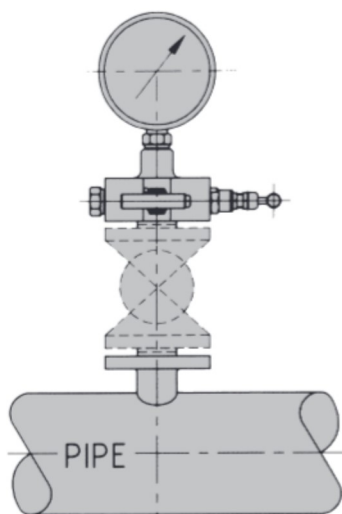
## GAUGE BLOCK MONOFLANGE VALVES

reliability  
under  
pressure



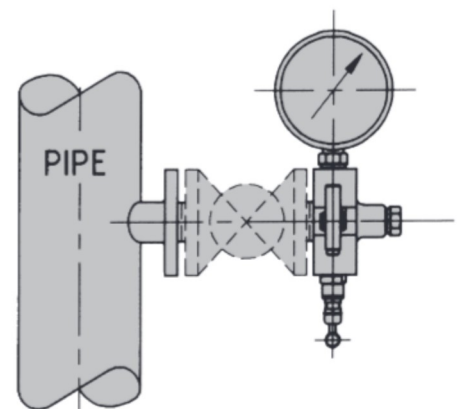
Gauge block monoflange valves work in conjunction with a pre-installed primary isolate valve. They provide very compact instrument Double Block and Bleed valving. This range is also available in a single block and Double Block and Bleed configuration's.

- Block and bleed configuration has multi gauge ports for orientation of valve on horizontal and vertical pipelines.
- Gauge block monoflange valves to be used in conjunction with primary isolate.
- Use standard or heavy duty needle valves, for different pressures.
- Valves designed to connect to ASME B16.5 flanges.
- Block, Block and Bleed, Double Block and Bleed options.
- Weight, space and hook - up time saving.
- Leak paths greatly reduced.



HORIZONTAL PIPING PRESSURE  
MEASUREMENT

Modular construction allows easy installation after an existing primary isolate valve. Dual instrument connections enable instrument to be mounted vertically on either horizontal or vertical line mounting application.



VERTICAL PIPING PRESSURE  
MEASUREMENT

