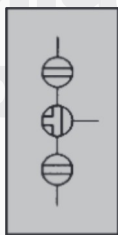
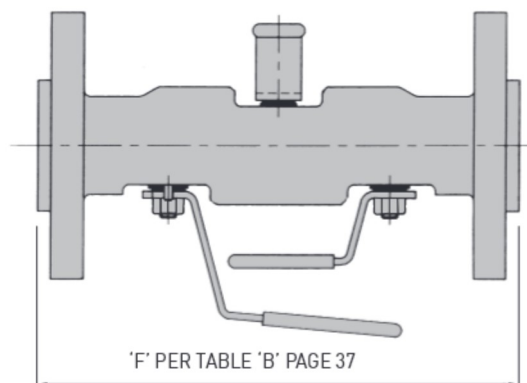
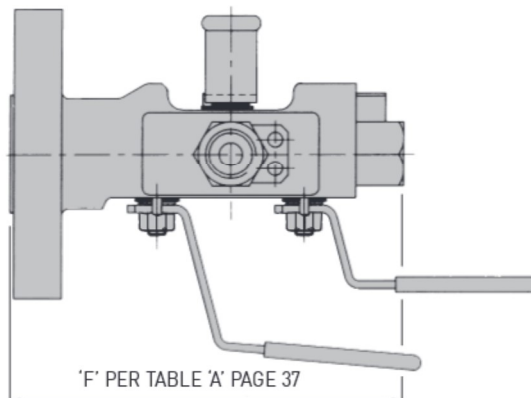


reliability  
under  
pressure



Machined from a single piece 'grain flow controlled' forging. This valve features two in-line ball pattern primary and secondary isolating valves with ball valve vent, offering 'through to process' rodding in bore sizes from 10mm to 14mm (0.4" to 0.55").

This all forged manifold comprises two in-line ball primary and secondary isolating valves with ball valve vent. In bore sizes from 10mm to 14mm (0.4" to 0.55").



FLANGE TO PIPE – TWO BORES – THREE STANDARD MATERIALS

SIZE RANGES	
BALL VALVE BORE 0.40"/10mm CV 6.3	BALL VALVE BORE 0.55"/14mm CV 11.7
Flange size 1/2" NB to 2" NB, Flange Classes 150 to 2500 RF & RTJ	Flange size 3/4" NB to 2" NB, Flange Classes 150 to 2500 RF & RTJ
Outlet connection: 1/2" NPT Female standard. Vent connection: 1/2" NPT Female standard.	Outlet connection: 3/4" NPT Female standard. Vent connection: 1/2" NPT Female standard.

**CARBON STEEL**

Standard specification – ASTM A350 LF2 body material with BS970 316 S11/S31 barstock stainless steel trims, Inserts. End adaptors with PTFE seats and PTFE/Graphite seals and gland packings. Standard 1/4 turn lever 1/2 turn to vent. All end adaptors have Oliver BLOK-LOK protection against accidental disassembly.

**DUPLEX STAINLESS STEEL**

Standard specification – ASTM A182 F51 body material with UNS S31803 barstock steel trims, Inserts, End adaptors with PTFE seats and PTFE/Graphite seals and gland packings. Standard 1/4 turn lever 1/2 turn to vent. All end adaptors have Oliver BLOK-LOK protection against accidental disassembly.

Note: 20mm Bore available in Bolted construction only.

FLANGE TO FLANGE – TWO BORES – THREE STANDARD MATERIALS

SIZE RANGES	
BALL VALVE BORE 0.40"/10mm CV 6.3	BALL VALVE BORE 0.55"/14mm CV 11.7
Flange size 1/2" NB to 2" NB, Flange Classes 150 to 2500 RF & RTJ	Flange size 3/4" NB to 2" NB, Flange Classes 150 to 2500 RF & RTJ
Outlet connection: Flange size & Class can be different from inlet. Vent connection: 1/2" NPT Female standard.	Outlet connection: Flange size & Class can be different from inlet. Vent connection: 1/2" NPT Female standard.

**STAINLESS STEEL**

Standard specification – ASTM A182 F316 body material with BS970 316S11/S31 barstock stainless steel trims, Inserts, End adaptors with PTFE seats and PTFE/Graphite seals and gland packings. Standard 1/4 turn lever 1/2 turn to vent. All end adaptors have Oliver BLOK-LOK protection against accidental disassembly.

STANDARD	
NACE:	Conformance to NACE MR-01-75 (latest revision).
FIRESAFE:	Firesafe construction.
OPTIONS	
INJECTION:	Available for chemical injection service (page 43).
SAMPLING:	Available for sampling service (page 43).

