

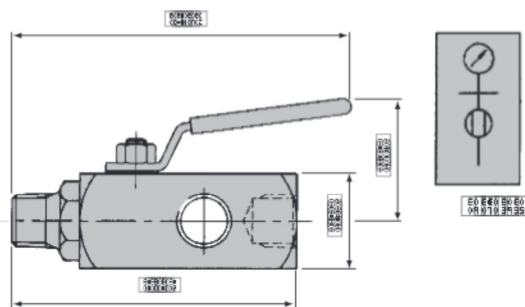
reliability
under
pressure

B6GM1S TYPE



Multiport ball valves allow compact solutions to the joint mounting of remote and local indicating instruments and can be supplied with a range of blanking or venting plugs and/or swivel gauge adaptors.

Max press PSI (at 20°C)	Bore size		Weight Kg	1/2" Male inlet & three 1/2" Female outlets	3/4" Male inlet & three 1/2" Female outlets
	mm	inches			
6000	10	0.40	0.7	B6XGM1S	B6XGM175-50S
10000	10	0.40	0.7	B10XGM1S	B10XGM175-50S

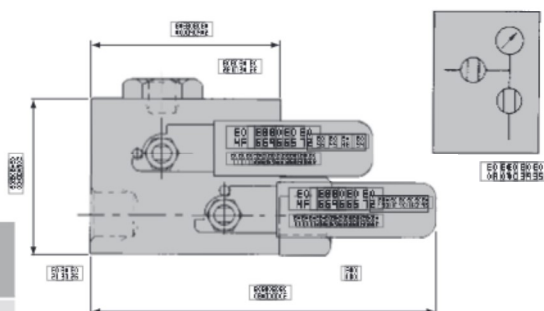


B6G12FFS TYPE



Standard connections 1/2" NPT (Female) inlet and outlet, with 1/4" NPT (Female) vent.

Max press PSI (at 20°C)	Bore size		Weight Kg	Remote mount 1/2" Female x Female connections
	mm	inches		
6000	10	0.40	1.3	B6XG12FFS



DBBL TYPE



Barstock body with three balls arranged for sampling, chemical injection and double block and bleed of instrument. Surface mounting option available. Cam Interlock option available to allow only the correct sequence of operation and to prevent accidental opening of the vent valve when the first isolation valve is open.

