

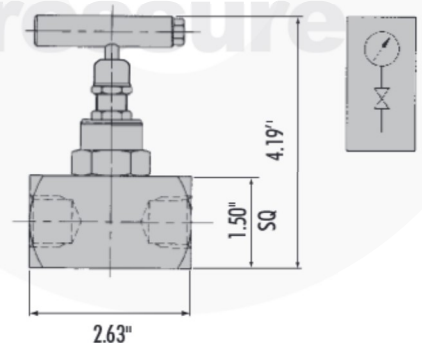
HAND VALVES

HD TYPE HEAVY DUTY NEEDLE VALVE

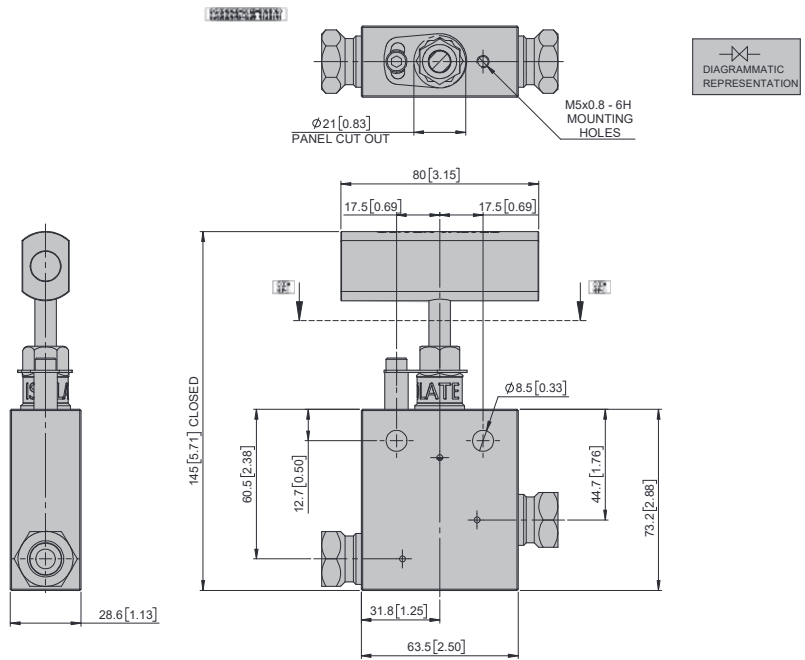
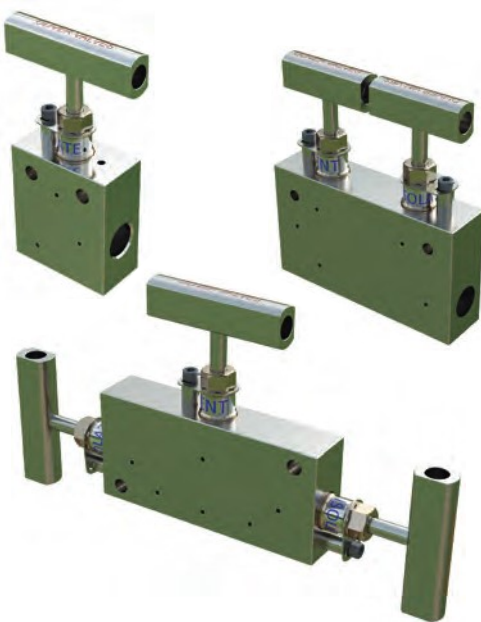


Male or Female configuration
 HD = 6,000 PSI.
 HD/HP = 10,000 PSI.
 HD/15HP = 15,000 PSI (with cone and threaded ports).

1/4", 3/8" and 1/2" NPT threads rate to 10,000 PSI only.
 3/4", 1" NPT threads rate to 6,000 PSI only.
 Above is strictly in accordance to ANSI Standards.



22.5KSI NEEDLE VALVES



Design pressure 1,551 BAR (22,500 PSI) (/22.5HP).
 Temperature rating -50°C (-60°F) TO +240°C (+464°F).
 4 - 5 Turns from closed to open.
 8mm (0.312") bore.
 9/16"MP Cone & thread connections.

316 Stainless steel valve body.
 718 Spindle tip.
 Nickel bronze pusher.
 316 Stainless steel T bar.
 Glass/Moly filled PTFE gland seal.

LT200 CRYOGENIC NEEDLE VALVES, BALL VALVES & DBB VALVES

Cryogenic single isolate ball valve
 1/2" NPT Female x Female Thread Orientation.

Max working pressure 3,600 PSI (248.2 BAR).
 Temperature -196°C (-320.8°F) to ambient.
 Fugitive emission qualified to class B.

